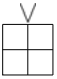


Badger Farm Bridge Club - 11 September 2007

<div style="text-align: center; margin-bottom: 10px;"> </div> <div style="display: flex; justify-content: space-between;"> <div style="width: 45%;"> <p> AJ6532 KJ QT4 52 </p> </div> <div style="width: 45%;"> <p> K98 6 9765 AJT96 </p> </div> </div> <p style="text-align: center; margin: 10px 0;">Hand 1</p> <div style="display: flex; justify-content: space-between;"> <div style="width: 45%;"> <p> QT QT432 AK 8743 </p> </div> <div style="width: 45%;"> <p> 74 A9875 J832 KQ </p> </div> </div>	<div style="text-align: center; margin-bottom: 10px;"> </div> <div style="display: flex; justify-content: space-between;"> <div style="width: 45%;"> <p> K65 J84 965 KT72 </p> </div> <div style="width: 45%;"> <p> AQJ984 932 4 J83 </p> </div> </div> <p style="text-align: center; margin: 10px 0;">Hand 2</p> <div style="display: flex; justify-content: space-between;"> <div style="width: 45%;"> <p> T32 AT6 KQT72 A9 </p> </div> <div style="width: 45%;"> <p> 7 KQ75 AJ83 Q654 </p> </div> </div>	<div style="text-align: center; margin-bottom: 10px;"> </div> <div style="display: flex; justify-content: space-between;"> <div style="width: 45%;"> <p> Q65 K73 AT54 K94 </p> </div> <div style="width: 45%;"> <p> J42 QJ42 83 AQ82 </p> </div> </div> <p style="text-align: center; margin: 10px 0;">Hand 3</p> <div style="display: flex; justify-content: space-between;"> <div style="width: 45%;"> <p> AKT983 65 J97 65 </p> </div> <div style="width: 45%;"> <p> 7 AT98 KQ62 JT73 </p> </div> </div>
<div style="text-align: center; margin-bottom: 10px;"> </div> <div style="display: flex; justify-content: space-between;"> <div style="width: 45%;"> <p> K975 Q963 Q62 Q7 </p> </div> <div style="width: 45%;"> <p> Q8632 AK4 5 AJ98 </p> </div> </div> <p style="text-align: center; margin: 10px 0;">Hand 4</p> <div style="display: flex; justify-content: space-between;"> <div style="width: 45%;"> <p> 4 T85 AKJT93 643 </p> </div> <div style="width: 45%;"> <p> AJT J72 874 KT52 </p> </div> </div>	<div style="text-align: center; margin-bottom: 10px;"> </div> <div style="display: flex; justify-content: space-between;"> <div style="width: 45%;"> <p> 432 J985 KQ8 T82 </p> </div> <div style="width: 45%;"> <p> QJ986 T7 975 Q97 </p> </div> </div> <p style="text-align: center; margin: 10px 0;">Hand 5</p> <div style="display: flex; justify-content: space-between;"> <div style="width: 45%;"> <p> A5 A632 AT4 AJ43 </p> </div> <div style="width: 45%;"> <p> KT7 KQ4 J632 K65 </p> </div> </div>	<div style="text-align: center; margin-bottom: 10px;"> </div> <div style="display: flex; justify-content: space-between;"> <div style="width: 45%;"> <p> 654 92 K42 K8743 </p> </div> <div style="width: 45%;"> <p> AQT7 JT4 T83 AQ5 </p> </div> </div> <p style="text-align: center; margin: 10px 0;">Hand 6</p> <div style="display: flex; justify-content: space-between;"> <div style="width: 45%;"> <p> K982 AK8763 Q65 </p> </div> <div style="width: 45%;"> <p> J3 Q5 AJ97 JT962 </p> </div> </div>
<div style="text-align: center; margin-bottom: 10px;"> </div> <div style="display: flex; justify-content: space-between;"> <div style="width: 45%;"> <p> KQ984 854 KJ2 84 </p> </div> <div style="width: 45%;"> <p> JT75 96 T54 A532 </p> </div> </div> <p style="text-align: center; margin: 10px 0;">Hand 7</p> <div style="display: flex; justify-content: space-between;"> <div style="width: 45%;"> <p> 63 KJ AQ3 KJT976 </p> </div> <div style="width: 45%;"> <p> A2 AQT732 9876 Q </p> </div> </div>	<div style="text-align: center; margin-bottom: 10px;"> </div> <div style="display: flex; justify-content: space-between;"> <div style="width: 45%;"> <p> AJ85 T7 972 KT98 </p> </div> <div style="width: 45%;"> <p> 9732 A542 T3 A43 </p> </div> </div> <p style="text-align: center; margin: 10px 0;">Hand 8</p> <div style="display: flex; justify-content: space-between;"> <div style="width: 45%;"> <p> Q4 QJ98 Q54 QJ62 </p> </div> <div style="width: 45%;"> <p> KT6 K63 AKJ86 75 </p> </div> </div>	<div style="text-align: center; margin-bottom: 10px;"> </div> <div style="display: flex; justify-content: space-between;"> <div style="width: 45%;"> <p> AQ8743 T Q752 43 </p> </div> <div style="width: 45%;"> <p> 5 AKJ97 JT643 Q6 </p> </div> </div> <p style="text-align: center; margin: 10px 0;">Hand 9</p> <div style="display: flex; justify-content: space-between;"> <div style="width: 45%;"> <p> KJT6 Q42 9 AKJ52 </p> </div> <div style="width: 45%;"> <p> 92 8653 AK8 T987 </p> </div> </div>
<div style="text-align: center; margin-bottom: 10px;"> </div> <div style="display: flex; justify-content: space-between;"> <div style="width: 45%;"> <p> Q9872 K6 AKQ965 </p> </div> <div style="width: 45%;"> <p> 65 T7432 3 AQJ85 </p> </div> </div> <p style="text-align: center; margin: 10px 0;">Hand 10</p> <div style="display: flex; justify-content: space-between;"> <div style="width: 45%;"> <p> AJT3 QJ9 42 KT92 </p> </div> <div style="width: 45%;"> <p> K4 A85 JT87 7643 </p> </div> </div>	<div style="text-align: center; margin-bottom: 10px;"> </div> <div style="display: flex; justify-content: space-between;"> <div style="width: 45%;"> <p> 98 853 8753 Q976 </p> </div> <div style="width: 45%;"> <p> 4 AK2 KQT96 KT32 </p> </div> </div> <p style="text-align: center; margin: 10px 0;">Hand 11</p> <div style="display: flex; justify-content: space-between;"> <div style="width: 45%;"> <p> KQJ7652 Q J4 A54 </p> </div> <div style="width: 45%;"> <p> AT3 JT9764 A2 J8 </p> </div> </div>	<div style="text-align: center; margin-bottom: 10px;"> </div> <div style="display: flex; justify-content: space-between;"> <div style="width: 45%;"> <p> AQ86 K 974 A9842 </p> </div> <div style="width: 45%;"> <p> 95 97 AKQT65 J53 </p> </div> </div> <p style="text-align: center; margin: 10px 0;">Hand 12</p> <div style="display: flex; justify-content: space-between;"> <div style="width: 45%;"> <p> KT43 QJT62 J82 7 </p> </div> <div style="width: 45%;"> <p> J72 A8543 3 KQT6 </p> </div> </div>




 T532
 Q
 AJT743
 K5

KQ7
 842
 KQ65
 AT2

Hand 13

J96
 AJ975
 82
 Q98

A84
 KT63
 9
 J7643




 J632
 732
 KQ7
 T86

KQT
 KQ854
 84
 Q53

Hand 14

854
 A9
 AJ63
 KJ97

A97
 JT6
 T952
 A42



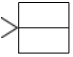
 KQT
 Q9
 T9764
 Q85

A84
 J765
 A32
 KT7

Hand 15

J76532
 432
 J
 A43

9
 AKT8
 KQ85
 J962



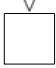
 Q76
 A97
 KT
 T9875

T943
 865
 Q87432

Hand 16

8
 KQT432
 AJ5
 432

AKJ52
 J
 96
 AKQJ6



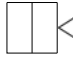
 Q654
 AK952
 4
 743

J7
 J3
 AJ8752
 Q85

Hand 17

AT92
 87
 QT3
 AT92

K83
 QT64
 K96
 KJ6



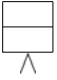
 QJ86
 KJ963
 A72
 K

A4
 Q5
 KJ65
 AQJT8

Hand 18

T732
 T7
 T8
 76543

K95
 A842
 Q943
 92



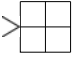
 J52
 K532
 QJT73
 T

Q83
 QJ874
 K86
 K4

Hand 19

T96
 A96
 952
 A872

AK74
 T
 A4
 QJ9653



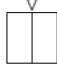
 QT6
 AK9632
 72
 J7

J3
 Q5
 QT8
 A98654

Hand 20

754
 8
 KJ9654
 KT3

AK982
 JT74
 A3
 Q2



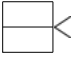
 JT9
 QT7
 KQ86
 KT8

Q654
 KJ
 A9
 A9542

Hand 21

A82
 A853
 742
 QJ7

K73
 9642
 JT53
 63



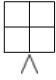
 J53
 Q532
 J532
 JT

762
 94
 T97
 AQ864

Hand 22

KQ9
 AKT6
 A64
 K73

AT84
 J87
 KQ8
 952



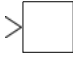
 J84
 T97
 Q64
 QT95

T76
 AQ43
 732
 864

Hand 23

AK532
 KJ5
 5
 AKJ7

Q9
 862
 AKJT98
 32



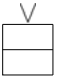
 KJ987532
 J3
 9
 Q6





T4
 98
 AJT5432
 K3

Hand 24





6
 AQT6542
 A9854





AQ
 K7
 KQ876
 JT72







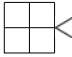
 9873
 83
 QJ4
 KQ72





Hand 25

 AJ64
 QT654
 62
 64





 Q5
 J972
 A975
 A93





 KT2
 AK
 KT83
 JT85








 64
 T9832
 754
 Q73





Hand 26

 KQT
 A4
 AT6
 AJ965





 A982
 QJ76
 KQ3
 K8





 J753
 K5
 J982
 T42







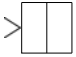
 J7642
 J73
 85
 AK5

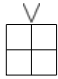
Hand 27

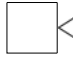
 KQT

 AJT9763
 QT9

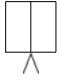
 A93
 AKQT92
 K
 642

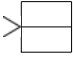
 85
 8654
 Q42
 J873

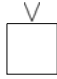


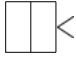




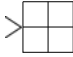












Hand Pattern	% This Deal	# This Deal	% Theory
4-4-3-2	20.37	22	21.55
5-3-3-2	12.96	14	15.52
5-4-3-1	11.11	12	12.93
5-4-2-2	8.33	9	10.58
4-3-3-3	16.67	18	10.54
6-3-2-2	8.33	9	5.64
6-4-2-1	3.70	4	4.70
6-3-3-1	5.56	6	3.45
5-5-2-1	2.78	3	3.17
4-4-4-1	2.78	3	2.99
7-3-2-1	0.93	1	1.88
6-4-3-0	1.85	2	1.33
5-4-4-0	0.00	0	1.24
5-5-3-0	0.00	0	0.90
6-5-1-1	0.00	0	0.71
6-5-2-0	0.93	1	0.65
7-2-2-2	0.93	1	0.51
7-4-1-1	0.00	0	0.39
7-4-2-0	0.00	0	0.36
7-3-3-0	0.93	1	0.27
Other	1.85	2	0.69

HPC/Seat: N - 226 (20.93); S - 282 (26.11); E - 301 (27.87); W - 271 (25.09)

Number of suits over 6 cards (Theory - 4.4): N - 1; S - 0; E - 2; W - 2

Number of suits with void (Theory - 5.5): N - 1; S - 0; E - 2; W - 2

Number of suits with singleton (Theory - 33.0): N - 7; S - 8; E - 10; W - 6