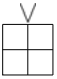


# Badger Farm Bridge Club - 2 October 2007

<div style="text-align: center; margin-bottom: 10px;"> </div> <div style="display: flex; justify-content: space-between;"> <div style="width: 45%;"> <p>♠ AQT7 ♥ 8732 ♦ 84 ♣ 743</p> </div> <div style="width: 45%;"> <p>♠ 4 ♥ J973 ♦ KQ986 ♣ 875</p> </div> </div> <div style="display: flex; justify-content: space-between; margin-top: 10px;"> <div style="width: 45%;"> <p>♠ 2 ♥ KJ9 ♦ AT53 ♣ QJ852</p> </div> <div style="width: 45%;"> <p>♠ J985 ♥ AQT6 ♦ 92 ♣ AT6</p> </div> </div> <div style="text-align: center; margin-top: 10px;"> <p><b>Hand 1</b></p> </div> <div style="display: flex; justify-content: space-between; margin-top: 10px;"> <div style="width: 45%;"> <p>♠ K643 ♥ 54 ♦ KQJ76 ♣ K9</p> </div> <div style="width: 45%;"> <p>♠ T53 ♥ 65 ♦ J5 ♣ AKQT92</p> </div> </div> <div style="text-align: center; margin-top: 10px;"> <p><b>Hand 2</b></p> </div> <div style="display: flex; justify-content: space-between; margin-top: 10px;"> <div style="width: 45%;"> <p>♠ K97 ♥ 8765 ♦ Q9 ♣ AJT3</p> </div> <div style="width: 45%;"> <p>♠ AQ8 ♥ AJ842 ♦ A74 ♣ J3</p> </div> </div> <div style="text-align: center; margin-top: 10px;"> <p><b>Hand 3</b></p> </div> <div style="display: flex; justify-content: space-between; margin-top: 10px;"> <div style="width: 45%;"> <p>♠ A4 ♥ T93 ♦ 6542 ♣ KQ42</p> </div> <div style="width: 45%;"> <p>♠ J62 ♥ AQ ♦ AKJ83 ♣ 976</p> </div> </div>	<div style="text-align: center; margin-bottom: 10px;"> </div> <div style="display: flex; justify-content: space-between;"> <div style="width: 45%;"> <p>♠ AJ97 ♥ 5 ♦ JT832 ♣ K43</p> </div> <div style="width: 45%;"> <p>♠ A763 ♥ 754 ♣ KJT932</p> </div> </div> <div style="display: flex; justify-content: space-between; margin-top: 10px;"> <div style="width: 45%;"> <p>♠ KJ864 ♥ J74 ♦ AK ♣ T92</p> </div> <div style="width: 45%;"> <p>♠ 32 ♥ T98632 ♦ 9 ♣ AQ86</p> </div> </div> <div style="text-align: center; margin-top: 10px;"> <p><b>Hand 4</b></p> </div> <div style="display: flex; justify-content: space-between; margin-top: 10px;"> <div style="width: 45%;"> <p>♠ Q5 ♥ AKQ ♦ Q7654 ♣ J75</p> </div> <div style="width: 45%;"> <p>♠ T43 ♥ 952 ♦ AKT963 ♣ 5</p> </div> </div> <div style="text-align: center; margin-top: 10px;"> <p><b>Hand 5</b></p> </div> <div style="display: flex; justify-content: space-between; margin-top: 10px;"> <div style="width: 45%;"> <p>♠ QJ9765 ♥ T ♦ 8 ♣ AQ764</p> </div> <div style="width: 45%;"> <p>♠ AK82 ♥ KQJ84 ♦ QJ2 ♣ 8</p> </div> </div> <div style="text-align: center; margin-top: 10px;"> <p><b>Hand 6</b></p> </div> <div style="display: flex; justify-content: space-between; margin-top: 10px;"> <div style="width: 45%;"> <p>♠ J3 ♥ KJ7 ♦ AJ942 ♣ A93</p> </div> <div style="width: 45%;"> <p>♠ AT74 ♥ QT852 ♦ Q874</p> </div> </div> <div style="display: flex; justify-content: space-between; margin-top: 10px;"> <div style="width: 45%;"> <p>♠ 98 ♥ 964 ♦ Q875 ♣ KJ65</p> </div> </div>	<div style="text-align: center; margin-bottom: 10px;"> </div> <div style="display: flex; justify-content: space-between;"> <div style="width: 45%;"> <p>♠ J75 ♥ AQJ754 ♦ 8732 ♣</p> </div> <div style="width: 45%;"> <p>♠ K4 ♥ Q73 ♦ 84 ♣ AT8765</p> </div> </div> <div style="display: flex; justify-content: space-between; margin-top: 10px;"> <div style="width: 45%;"> <p>♠ 83 ♥ 93 ♦ Q9654 ♣ K642</p> </div> <div style="width: 45%;"> <p>♠ K2 ♥ K862 ♦ KJT ♣ AT73</p> </div> </div> <div style="text-align: center; margin-top: 10px;"> <p><b>Hand 7</b></p> </div> <div style="display: flex; justify-content: space-between; margin-top: 10px;"> <div style="width: 45%;"> <p>♠ AQT964 ♥ T ♦ A ♣ QJ985</p> </div> <div style="width: 45%;"> <p>♠ T9653 ♥ A94 ♦ J975 ♣ 4</p> </div> </div> <div style="text-align: center; margin-top: 10px;"> <p><b>Hand 8</b></p> </div> <div style="display: flex; justify-content: space-between; margin-top: 10px;"> <div style="width: 45%;"> <p>♠ AJ ♥ JT86 ♦ AK62 ♣ KJ3</p> </div> <div style="width: 45%;"> <p>♠ Q872 ♥ K52 ♦ QT3 ♣ Q92</p> </div> </div> <div style="display: flex; justify-content: space-between; margin-top: 10px;"> <div style="width: 45%;"> <p>♠ 2 ♥ K65 ♦ AKJ54 ♣ K743</p> </div> <div style="width: 45%;"> <p>♠ J753 ♥ AJ94 ♦ QT93 ♣ Q</p> </div> </div> <div style="text-align: center; margin-top: 10px;"> <p><b>Hand 9</b></p> </div> <div style="display: flex; justify-content: space-between; margin-top: 10px;"> <div style="width: 45%;"> <p>♠ KT984 ♥ T3 ♦ 6 ♣ AJ952</p> </div> </div>
<div style="text-align: center; margin-bottom: 10px;"> </div> <div style="display: flex; justify-content: space-between;"> <div style="width: 45%;"> <p>♠ 7 ♥ T9862 ♦ AJT65 ♣ J8</p> </div> <div style="width: 45%;"> <p>♠ A973 ♥ K7 ♦ Q85 ♣ 6543</p> </div> </div> <div style="display: flex; justify-content: space-between; margin-top: 10px;"> <div style="width: 45%;"> <p>♠ A954 ♥ KJ ♦ Q3 ♣ QT762</p> </div> <div style="width: 45%;"> <p>♠ KT832 ♥ 4 ♦ 984 ♣ A953</p> </div> </div> <div style="text-align: center; margin-top: 10px;"> <p><b>Hand 10</b></p> </div> <div style="display: flex; justify-content: space-between; margin-top: 10px;"> <div style="width: 45%;"> <p>♠ QJ6 ♥ AQ753 ♦ K72 ♣ K4</p> </div> <div style="width: 45%;"> <p>♠ KT654 ♥ T5 ♦ K3 ♣ AKQJ</p> </div> </div> <div style="text-align: center; margin-top: 10px;"> <p><b>Hand 11</b></p> </div> <div style="display: flex; justify-content: space-between; margin-top: 10px;"> <div style="width: 45%;"> <p>♠ J83 ♥ AQ942 ♦ T ♣ T982</p> </div> <div style="width: 45%;"> <p>♠ Q ♥ J863 ♦ AJ97642 ♣ 7</p> </div> </div> <div style="display: flex; justify-content: space-between; margin-top: 10px;"> <div style="width: 45%;"> <p>♠ KQ ♥ AQ864 ♦ T2 ♣ T753</p> </div> <div style="width: 45%;"> <p>♠ 72 ♥ JT97 ♦ AQ3 ♣ AK42</p> </div> </div> <div style="text-align: center; margin-top: 10px;"> <p><b>Hand 12</b></p> </div> <div style="display: flex; justify-content: space-between; margin-top: 10px;"> <div style="width: 45%;"> <p>♠ T9864 ♥ 32 ♦ J8654 ♣ 9</p> </div> </div>	<div style="text-align: center; margin-bottom: 10px;"> </div> <div style="display: flex; justify-content: space-between;"> <div style="width: 45%;"> <p>♠ KQ652 ♥ A3 ♦ KT63 ♣ T2</p> </div> <div style="width: 45%;"> <p>♠ KQ652 ♥ A3 ♦ KT63 ♣ T2</p> </div> </div> <div style="display: flex; justify-content: space-between; margin-top: 10px;"> <div style="width: 45%;"> <p>♠ AT74 ♥ QT852 ♦ Q874</p> </div> <div style="width: 45%;"> <p>♠ 98 ♥ 964 ♦ Q875 ♣ KJ65</p> </div> </div> <div style="text-align: center; margin-top: 10px;"> <p><b>Hand 6</b></p> </div> <div style="display: flex; justify-content: space-between; margin-top: 10px;"> <div style="width: 45%;"> <p>♠ J3 ♥ KJ7 ♦ AJ942 ♣ A93</p> </div> </div>	



  
 ♠ KJ64  
 ♥ AKQJ5  
 ♦ K76  
 ♣ Q

♠ 5  
 ♥ 9873  
 ♦ A9  
 ♣ AJ9732

**Hand 13**

♠ A3  
 ♥ T4  
 ♦ QJ532  
 ♣ T864

♠ QT9872  
 ♥ 62  
 ♦ T84  
 ♣ K5



  
 ♠ 986  
 ♥ AT2  
 ♦ AKJ  
 ♣ AT95

♠ KQ753  
 ♥ 943  
 ♦ 73  
 ♣ J74

**Hand 14**

♠ AT42  
 ♥ K85  
 ♦ Q542  
 ♣ Q6

♠ J  
 ♥ QJ76  
 ♦ T986  
 ♣ K832

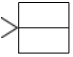

  
 ♠ 74  
 ♥ A96  
 ♦ A432  
 ♣ KJ54

♠ KJ32  
 ♥ K874  
 ♦ 87  
 ♣ Q98

**Hand 15**

♠ Q86  
 ♥ T  
 ♦ KJ96  
 ♣ AT632

♠ AJ95  
 ♥ QJ532  
 ♦ QT5  
 ♣ 7

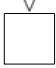

  
 ♠ 8543  
 ♥ AJT9  
 ♦ K532  
 ♣ K

♠ T9  
 ♥ Q43  
 ♦ QJ984  
 ♣ 875

**Hand 16**

♠ A2  
 ♥ K8765  
 ♦ A  
 ♣ AT943

♠ KQJ76  
 ♥ 2  
 ♦ T76  
 ♣ QJ62

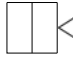

  
 ♠ Q92  
 ♥ Q86532  
 ♦ A9  
 ♣ AJ

♠ KJT753  
 ♥ JT4  
 ♦ Q5  
 ♣ K9

**Hand 17**

♠ 86  
 ♥ AK7  
 ♦ KJ86  
 ♣ 6542

♠ A4  
 ♥ 9  
 ♦ T7432  
 ♣ QT873

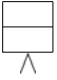

  
 ♠ Q  
 ♥ A985  
 ♦ KJT8542  
 ♣ 5

♠ J96  
 ♥ J6  
 ♦ 6  
 ♣ T987432

**Hand 18**

♠ AK4  
 ♥ K742  
 ♦ AQ93  
 ♣ A6

♠ T87532  
 ♥ QT3  
 ♦ 7  
 ♣ KQJ

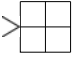

  
 ♠ 98  
 ♥ A752  
 ♦ A8  
 ♣ J8752

♠ A54  
 ♥ QJ94  
 ♦ 54  
 ♣ AKQ6

**Hand 19**

♠ KQT62  
 ♥ K6  
 ♦ J932  
 ♣ 43

♠ J73  
 ♥ T86  
 ♦ KQT76  
 ♣ T9

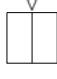

  
 ♠ A83  
 ♥ A6542  
 ♦ Q84  
 ♣ 76

♠ KQ73  
 ♥ 9632  
 ♦ 95432  
 ♣

**Hand 20**

♠ KJ976  
 ♥ J98  
 ♦ J75  
 ♣ KJ

♠ QT542  
 ♥ T  
 ♦ AKT  
 ♣ AQT8

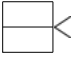

  
 ♠ T7652  
 ♥ A87  
 ♦ 8  
 ♣ AT74

♠ AQ98  
 ♥ 5  
 ♦ AQ3  
 ♣ QJ532

**Hand 21**

♠ J  
 ♥ KQJT6432  
 ♦ K6  
 ♣ 98

♠ K43  
 ♥ 9  
 ♦ JT97542  
 ♣ K6

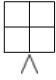

  
 ♠ 9  
 ♥ AT9432  
 ♦ KJ64  
 ♣ J3

♠ KT6  
 ♥ Q765  
 ♦ A5  
 ♣ AKT5

**Hand 22**

♠ A874  
 ♥ K  
 ♦ QJ983  
 ♣ Q87

♠ QJ532  
 ♥ J8  
 ♦ 72  
 ♣ 9642

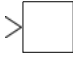

  
 ♠ 852  
 ♥ Q72  
 ♦ Q87  
 ♣ 9652

♠ T64  
 ♥ J9853  
 ♦ A3  
 ♣ KJ3

**Hand 23**

♠ K3  
 ♥ KT4  
 ♦ KJT952  
 ♣ A4

♠ AQJ97  
 ♥ A6  
 ♦ 64  
 ♣ QT87

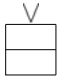





  
 ♠ T2  
 ♥ A92  
 ♦ KQ9853  
 ♣ A8

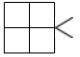

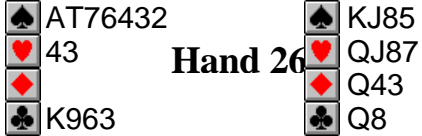


♠ AK9876  
 ♥ KT6  
 ♦ T  
 ♣ QJ5






**Hand 24**

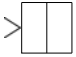
♠ QT5  
 ♥ QJ83  
 ♦ A6  
 ♣ K762

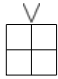
♠ 43  
 ♥ 754  
 ♦ J742  
 ♣ T943

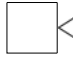

  

  

  
**Hand 25**

  


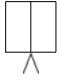

  

  

  
**Hand 26**

  


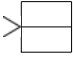

  

  

  
**Hand 27**

  


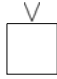


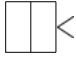




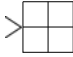












<b>Hand Pattern</b>	<b>% This Deal</b>	<b># This Deal</b>	<b>% Theory</b>
4-4-3-2	20.37	22	21.55
5-3-3-2	13.89	15	15.52
5-4-3-1	16.67	18	12.93
5-4-2-2	10.19	11	10.58
4-3-3-3	4.63	5	10.54
6-3-2-2	8.33	9	5.64
6-4-2-1	2.78	3	4.70
6-3-3-1	2.78	3	3.45
5-5-2-1	4.63	5	3.17
4-4-4-1	2.78	3	2.99
7-3-2-1	1.85	2	1.88
6-4-3-0	1.85	2	1.33
5-4-4-0	2.78	3	1.24
5-5-3-0	0.00	0	0.90
6-5-1-1	1.85	2	0.71
6-5-2-0	0.00	0	0.65
7-2-2-2	0.00	0	0.51
7-4-1-1	2.78	3	0.39
7-4-2-0	0.93	1	0.36
7-3-3-0	0.00	0	0.27
Other	0.93	1	0.69

**HPC/Seat: N - 264 (24.44); S - 250 (23.15); E - 306 (28.33); W - 268 (24.81)**

**Number of suits over 6 cards (Theory - 4.4): N - 1; S - 2; E - 2; W - 2**

**Number of suits with void (Theory - 5.5): N - 2; S - 1; E - 0; W - 3**

**Number of suits with singleton (Theory - 33.0): N - 9; S - 16; E - 11; W - 9**