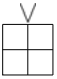


Badger Farm Bridge Club - 3 July 2007

<div style="text-align: center; margin-bottom: 10px;"> </div> <div style="display: flex; justify-content: space-between;"> <div style="width: 45%;"> <p>♠ K65 ♥ 87 ♦ A87 ♣ AKJ93</p> </div> <div style="width: 45%;"> <p>♠ J8 ♥ AKQ53 ♦ KQT ♣ Q82</p> </div> </div> <p style="text-align: center; font-weight: bold; margin: 10px 0;">Hand 1</p> <div style="display: flex; justify-content: space-between;"> <div style="width: 45%;"> <p>♠ AQT743 ♥ 96 ♦ J63 ♣ 54</p> </div> <div style="width: 45%;"> <p>♠ 92 ♥ JT42 ♦ 9542 ♣ T76</p> </div> </div>	<div style="text-align: center; margin-bottom: 10px;"> </div> <div style="display: flex; justify-content: space-between;"> <div style="width: 45%;"> <p>♠ K87 ♥ T7 ♦ J63 ♣ AQJ64</p> </div> <div style="width: 45%;"> <p>♠ T632 ♥ AK9843 ♦ 4 ♣ 32</p> </div> </div> <p style="text-align: center; font-weight: bold; margin: 10px 0;">Hand 2</p> <div style="display: flex; justify-content: space-between;"> <div style="width: 45%;"> <p>♠ 95 ♥ Q ♦ KQ752 ♣ T9875</p> </div> <div style="width: 45%;"> <p>♠ AQJ4 ♥ J652 ♦ AT98 ♣ K</p> </div> </div>	<div style="text-align: center; margin-bottom: 10px;"> </div> <div style="display: flex; justify-content: space-between;"> <div style="width: 45%;"> <p>♠ J2 ♥ 8762 ♦ JT72 ♣ T83</p> </div> <div style="width: 45%;"> <p>♠ A64 ♥ J ♦ 983 ♣ QJ9762</p> </div> </div> <p style="text-align: center; font-weight: bold; margin: 10px 0;">Hand 3</p> <div style="display: flex; justify-content: space-between;"> <div style="width: 45%;"> <p>♠ Q9875 ♥ KQ95 ♦ AK ♣ A5</p> </div> <div style="width: 45%;"> <p>♠ KT3 ♥ AT43 ♦ Q654 ♣ K4</p> </div> </div>
<div style="text-align: center; margin-bottom: 10px;"> </div> <div style="display: flex; justify-content: space-between;"> <div style="width: 45%;"> <p>♠ KQ9632 ♥ 653 ♦ AQT9 ♣</p> </div> <div style="width: 45%;"> <p>♠ AJ ♥ Q72 ♦ KQT42 ♣ K42</p> </div> </div> <p style="text-align: center; font-weight: bold; margin: 10px 0;">Hand 4</p> <div style="display: flex; justify-content: space-between;"> <div style="width: 45%;"> <p>♠ T87 ♥ A86543 ♦ A87 ♣ J</p> </div> <div style="width: 45%;"> <p>♠ 54 ♥ KJT9 ♦ J9 ♣ 87653</p> </div> </div>	<div style="text-align: center; margin-bottom: 10px;"> </div> <div style="display: flex; justify-content: space-between;"> <div style="width: 45%;"> <p>♠ K932 ♥ QJ5 ♦ AK63 ♣ Q8</p> </div> <div style="width: 45%;"> <p>♠ T ♥ 872 ♦ JT74 ♣ 95432</p> </div> </div> <p style="text-align: center; font-weight: bold; margin: 10px 0;">Hand 5</p> <div style="display: flex; justify-content: space-between;"> <div style="width: 45%;"> <p>♠ AJ5 ♥ K94 ♦ 985 ♣ AJT7</p> </div> <div style="width: 45%;"> <p>♠ Q8764 ♥ AT63 ♦ Q2 ♣ K6</p> </div> </div>	<div style="text-align: center; margin-bottom: 10px;"> </div> <div style="display: flex; justify-content: space-between;"> <div style="width: 45%;"> <p>♠ AT85 ♥ T2 ♦ A65 ♣ QJT6</p> </div> <div style="width: 45%;"> <p>♠ QJ763 ♥ J4 ♦ T9874 ♣ 3</p> </div> </div> <p style="text-align: center; font-weight: bold; margin: 10px 0;">Hand 6</p> <div style="display: flex; justify-content: space-between;"> <div style="width: 45%;"> <p>♠ K9 ♥ AKQ97653 ♦ Q ♣ 42</p> </div> <div style="width: 45%;"> <p>♠ 42 ♥ 8 ♦ KJ32 ♣ AK9875</p> </div> </div>
<div style="text-align: center; margin-bottom: 10px;"> </div> <div style="display: flex; justify-content: space-between;"> <div style="width: 45%;"> <p>♠ T3 ♥ AKT864 ♦ K73 ♣ 53</p> </div> <div style="width: 45%;"> <p>♠ Q75 ♥ 92 ♦ AQJ92 ♣ 764</p> </div> </div> <p style="text-align: center; font-weight: bold; margin: 10px 0;">Hand 7</p> <div style="display: flex; justify-content: space-between;"> <div style="width: 45%;"> <p>♠ 984 ♥ J753 ♦ T5 ♣ QJ92</p> </div> <div style="width: 45%;"> <p>♠ AKJ62 ♥ Q ♦ 864 ♣ AKT8</p> </div> </div>	<div style="text-align: center; margin-bottom: 10px;"> </div> <div style="display: flex; justify-content: space-between;"> <div style="width: 45%;"> <p>♠ 96 ♥ 542 ♦ T3 ♣ KT9763</p> </div> <div style="width: 45%;"> <p>♠ 75 ♥ AJ8 ♦ AKQJ7642 ♣</p> </div> </div> <p style="text-align: center; font-weight: bold; margin: 10px 0;">Hand 8</p> <div style="display: flex; justify-content: space-between;"> <div style="width: 45%;"> <p>♠ AQ842 ♥ KQ3 ♦ 85 ♣ A84</p> </div> <div style="width: 45%;"> <p>♠ KJT3 ♥ T976 ♦ 9 ♣ QJ52</p> </div> </div>	<div style="text-align: center; margin-bottom: 10px;"> </div> <div style="display: flex; justify-content: space-between;"> <div style="width: 45%;"> <p>♠ T985 ♥ 532 ♦ AT94 ♣ Q9</p> </div> <div style="width: 45%;"> <p>♠ K6 ♥ KJ76 ♦ KQ86 ♣ K63</p> </div> </div> <p style="text-align: center; font-weight: bold; margin: 10px 0;">Hand 9</p> <div style="display: flex; justify-content: space-between;"> <div style="width: 45%;"> <p>♠ AJ72 ♥ AT9 ♦ 752 ♣ JT8</p> </div> <div style="width: 45%;"> <p>♠ Q43 ♥ Q84 ♦ J3 ♣ A7542</p> </div> </div>
<div style="text-align: center; margin-bottom: 10px;"> </div> <div style="display: flex; justify-content: space-between;"> <div style="width: 45%;"> <p>♠ T54 ♥ KJT6 ♦ AT4 ♣ T86</p> </div> <div style="width: 45%;"> <p>♠ AKQ32 ♥ 93 ♦ 96 ♣ K732</p> </div> </div> <p style="text-align: center; font-weight: bold; margin: 10px 0;">Hand 10</p> <div style="display: flex; justify-content: space-between;"> <div style="width: 45%;"> <p>♠ 97 ♥ A52 ♦ K875 ♣ AQJ5</p> </div> <div style="width: 45%;"> <p>♠ J86 ♥ Q874 ♦ QJ32 ♣ 94</p> </div> </div>	<div style="text-align: center; margin-bottom: 10px;"> </div> <div style="display: flex; justify-content: space-between;"> <div style="width: 45%;"> <p>♠ 86 ♥ AKT963 ♦ QJ ♣ KQ6</p> </div> <div style="width: 45%;"> <p>♠ AJ432 ♥ 84 ♦ A743 ♣ T4</p> </div> </div> <p style="text-align: center; font-weight: bold; margin: 10px 0;">Hand 11</p> <div style="display: flex; justify-content: space-between;"> <div style="width: 45%;"> <p>♠ KQT9 ♥ Q ♦ T862 ♣ A953</p> </div> <div style="width: 45%;"> <p>♠ 75 ♥ J752 ♦ K95 ♣ J872</p> </div> </div>	<div style="text-align: center; margin-bottom: 10px;"> </div> <div style="display: flex; justify-content: space-between;"> <div style="width: 45%;"> <p>♠ QJ2 ♥ KQ83 ♦ KQT4 ♣ 75</p> </div> <div style="width: 45%;"> <p>♠ 98764 ♥ A7 ♦ 753 ♣ AT8</p> </div> </div> <p style="text-align: center; font-weight: bold; margin: 10px 0;">Hand 12</p> <div style="display: flex; justify-content: space-between;"> <div style="width: 45%;"> <p>♠ 53 ♥ T2 ♦ J82 ♣ KQJ964</p> </div> <div style="width: 45%;"> <p>♠ AKT ♥ J9654 ♦ A96 ♣ 32</p> </div> </div>




 ♠ KT8
 ♥ K63
 ♦ J5
 ♣ AK652

♠ Q7
 ♥ 54
 ♦ AQ976
 ♣ T874

Hand 13

♠ AJ92
 ♥ QJ72
 ♦ K32
 ♣ J9

♠ 6543
 ♥ AT98
 ♦ T84
 ♣ Q3




 ♠ AJ9
 ♥ K63
 ♦ K62
 ♣ K632

♠ 742
 ♥ AJT
 ♦ AJ3
 ♣ QT54

Hand 14

♠ K653
 ♥ Q942
 ♦ T754
 ♣ A

♠ QT8
 ♥ 875
 ♦ Q98
 ♣ J987



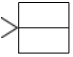
 ♠ AK7543
 ♥ T642
 ♦ 54
 ♣ J

♠ 62
 ♥ J
 ♦ Q987632
 ♣ AK7

Hand 15

♠ J
 ♥ KQ85
 ♦ QT986542
 ♣ QT98

♥ A973
 ♦ AKJT
 ♣ 3



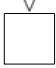
 ♠ KT8643
 ♥ Q32
 ♦ AKT
 ♣ 7

♠ AQJ97
 ♥ T864
 ♦ 54
 ♣ K6

Hand 16

♠ 2
 ♥ AKJ97
 ♦ 962
 ♣ T984

♠ 5
 ♥ 5
 ♦ QJ873
 ♣ AQJ532



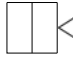
 ♠ 5
 ♥ AT6
 ♦ J82
 ♣ K86542

♠ QJ7
 ♥ QJ8
 ♦ QT64
 ♣ T73

Hand 17

♠ A9842
 ♥ K9432
 ♦ AQ9
 ♣ AQ9

♠ KT63
 ♥ 75
 ♦ AK9753
 ♣ J



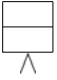
 ♠ Q87
 ♥ QJT6
 ♦ QJ32
 ♣ KJ

♠ KJ643
 ♥ 754
 ♦ K654
 ♣ 6

Hand 18

♠ 95
 ♥ A983
 ♦ A8
 ♣ 98732

♠ AT2
 ♥ K2
 ♦ T97
 ♣ AQT54



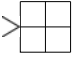
 ♠ AJT
 ♥ A96
 ♦ 862
 ♣ T765

♠ KQ653
 ♥ Q8
 ♦ T5
 ♣ AJ94

Hand 19

♠ 7
 ♥ J7542
 ♦ KJ93
 ♣ KQ3

♠ 9842
 ♥ KT3
 ♦ AQ74
 ♣ 82



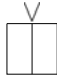
 ♠ AJ87
 ♥ KQ97
 ♦ AK4
 ♣ 73

♠ JT83
 ♥ J763
 ♣ QT865

Hand 20

♠ T95432
 ♥ A42
 ♦ T985
 ♣ T985

♠ KQ6
 ♥ 65
 ♦ Q2
 ♣ AKJ942



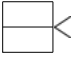
 ♠ K982
 ♥ JT9
 ♦ KQ6
 ♣ T97

♠ QT753
 ♥ Q652
 ♦ 4
 ♣ AKQ

Hand 21

♠ 6
 ♥ A83
 ♦ AJT92
 ♣ 6432

♠ AJ4
 ♥ K74
 ♦ 8753
 ♣ J85



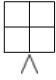
 ♠ AK87
 ♥ 9843
 ♦ J4
 ♣ 984

♠ QJ95
 ♥ 6
 ♦ K3
 ♣ QT7653

Hand 22

♠ T632
 ♥ A
 ♦ T987
 ♣ AKJ2

♠ 4
 ♥ KQJT752
 ♦ AQ652
 ♣



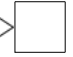
 ♠ 9876
 ♥ A643
 ♦ T85
 ♣ A8

♠ AQJ4
 ♥ K
 ♦ 7642
 ♣ JT93

Hand 23

♠ T32
 ♥ T875
 ♦ 3
 ♣ K6542

♠ K5
 ♥ QJ92
 ♦ AKQJ9
 ♣ Q7



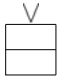
 ♠ AQT2
 ♥ AKQ2
 ♦ 76
 ♣ A96





♠ KJ876
 ♥ T8
 ♦ K75432
 ♣





Hand 24

♠ 953
 ♥ J3
 ♦ KQJT543
 ♣ J





♠ 4
 ♥ 97654
 ♦ A982
 ♣ QT8







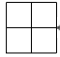
 94
 KT83
 AKJ6
 JT8





 KQJ87652
 5
 985
 Q





Hand 25

 AT
 J964
 Q732
 A95





 3
 AQ72
 T4
 K76432








 K5
 KJ7
 AJ4
 AK987





 98762
 95
 KQT965






Hand 26

 JT3
 864
 8
 QJT542





 AQ4
 AQT32
 732
 63







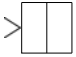
 4
 QT987
 Q98
 KJ64

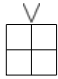
 K865
 KJ6432
 T2
 9

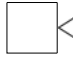
Hand 27

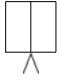
 AQJ9732
 A
 J4
 T83

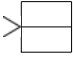
 T
 5
 AK7653
 AQ752

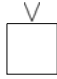


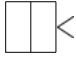




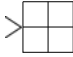












Hand Pattern	% This Deal	# This Deal	% Theory
4-4-3-2	20.37	22	21.55
5-3-3-2	12.04	13	15.52
5-4-3-1	9.26	10	12.93
5-4-2-2	9.26	10	10.58
4-3-3-3	9.26	10	10.54
6-3-2-2	5.56	6	5.64
6-4-2-1	6.48	7	4.70
6-3-3-1	4.63	5	3.45
5-5-2-1	1.85	2	3.17
4-4-4-1	6.48	7	2.99
7-3-2-1	2.78	3	1.88
6-4-3-0	1.85	2	1.33
5-4-4-0	0.93	1	1.24
5-5-3-0	0.93	1	0.90
6-5-1-1	1.85	2	0.71
6-5-2-0	1.85	2	0.65
7-2-2-2	0.00	0	0.51
7-4-1-1	0.00	0	0.39
7-4-2-0	0.00	0	0.36
7-3-3-0	0.00	0	0.27
Other	4.63	5	0.69

HPC/Seat: N - 297 (27.50); S - 273 (25.28); E - 260 (24.07); W - 250 (23.15)

Number of suits over 6 cards (Theory - 4.4): N - 0; S - 1; E - 4; W - 3

Number of suits with void (Theory - 5.5): N - 1; S - 1; E - 3; W - 4

Number of suits with singleton (Theory - 33.0): N - 4; S - 13; E - 14; W - 12